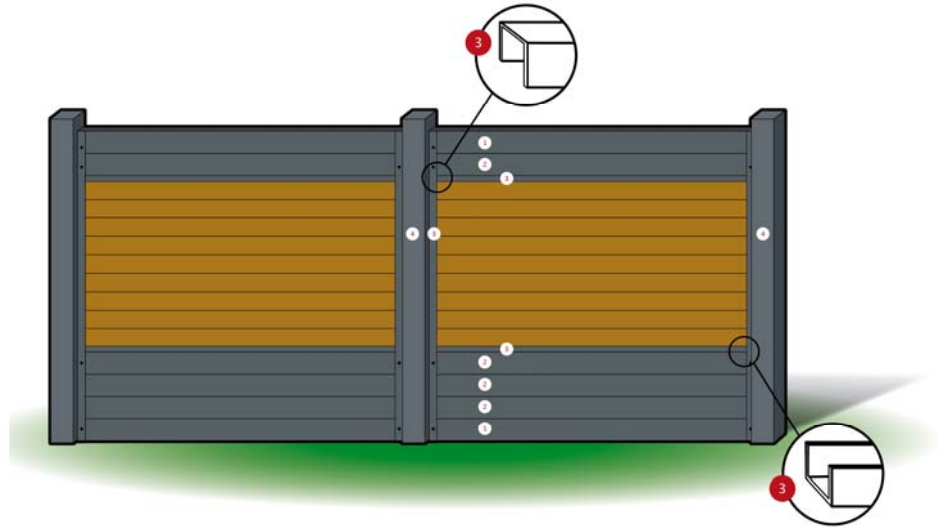
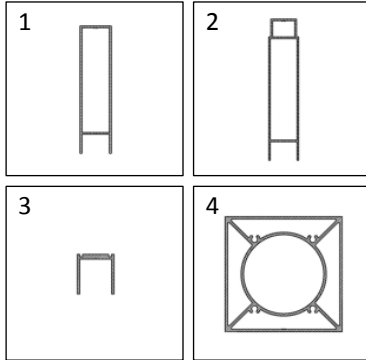





### Step-by-step description IdeAL Combi fence





Thank you for buying an IdeAL product. For more information and updates, visit our website: [www.felixwood.nl](http://www.felixwood.nl)

*This description concerns the installation of the standard construction, there is a variety of possibilities..*



**We recommend to predrill all screwholes with 4mm.**

<p><b>Preparation</b></p>	<p>To work easier and more accurate, place the post on a flat foundation.</p> <p>Place a side-rail ( L180cm) in the center of the post. Make sure the side-rail is levelled with the top of the post. Drill 4 holes in the side-rail and the post (drill through the skin of the post and its cylinder). <b>Fix only the 2 topscrews 4,8x25 mm.</b> Repeat this for all posts on both side of the post, except for the cornerpost.</p> <p>Use 4 screws (4,8x25mm) to attach the aluminum postcap to the head of the post.</p>	
<p><b>Step 1 -2</b></p>	<p>1A - setting the posts in the ground: Set the aluminum postanchor with about 75 cm buried in the ground. Use a rubber or wooden hammer, or cover the head of the postanchor to avoid damaging. Level the postanchor. Remove, if necessary, some ground for proper alignment later on, especially important if you use 200 cm posts.</p> <p>1B - setting the posts on a concrete foundation: Place the SS postanchor with 4 wedgebolts in the concrete. Level the postanchor.</p> <p>2 - Slide the post over the postanchor. Adjust level to the desired heights. Fixate the post using the 2 screws (4,8x25 mm) through the side-rail, post and cylinder. (Attention; predrill the cylinder). If possible, fix another screw at the other side at the bottom of each endpost.</p>	
<p><b>Step 3</b></p>	<p>Place the second post at a distance of 182 cm (this is incl. 1 cm space for fluctuations of wood and screws). Distance between postanchors is 191 cm centre to centre.</p>	

<p><b>Step 4</b></p>	<p>Slide a start profil, with the open side up, in the side rail. Make sure this is levelled. Fix with screws 4,8x13 mm. Keep a distance of 180 cm between the bottom of the start profil and the top of the side rail.</p> <p>Note: If your fence is made from aluminum, you'll start with a tongue en groove profil with the open side faced down. Place 17 pieces of tongue and groove profil. On top of that you place an end profil. The aluminum fence is ready!!</p>	
<p><b>Step 5 - 6</b></p>	<p>5 - Slide 3 tongue and groove profils with the open side up in the side rails. Fix the top profil with 4,8x13mm screws.</p> <p>6 - Place on top of that a side rail with the open side up, L 180 cm shortened to L174 cm. Fix with 3 screws 4,8x25 mm.</p>	
<p><b>Step 7</b></p>	<p>As infill place the fiberon® composite boards or Bangkirai dropsiding. Use the plastic strips to join the fiberon® boards. Every single Bangkirai board (tongue faced up) needs to be fixed to the side rail. The top-, middle- and bottom fiberon® composite boards need to be fixed. Use 4,8x13 mm screws.</p> <p>Note: before placing the Bangkirai boards measure the height. Boards come in standard heights of 145 mm, but can decrease due to drying. Slide the boards loosly so you create a small space in between the boards, this enables the wood to expand.</p>	
<p><b>Step 8-9-10</b></p>	<p>8 – Mark out 21 cm under the end vertical side rail.Fill up till this mark with fiberon® composite boards or Bangkirai dropsiding.Saw the last board to size, if necessary.</p> <p>9 - Fix a customized side rail (= distance between the 2 vertical rails), on the tongue + groove profil (the back of the side rail on top of the open side of the tongue + groove profil). Use 3 screws 4,8 x 25mm. Keep 3cm space on each side.</p> <p>10 - Place this side rail together with the tongue and groove profil on top of the infill. Finish with the end profil. Align at the top the vertical side rail and fix both profiles with screws 4,8x13 mm (keep a margin of 1 cm to enable Bangkirai or fiberon® composite to fluctuate).</p>	
<p><b>Ready!</b></p>	<p>If you damaged the aluminum slightly during the installation, contact your dealer and ask for about the IdeAl Touch Up Pen. Enjoy your IdeAL Combi fence!</p>	